

INDEX


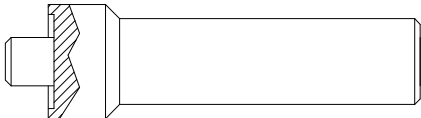

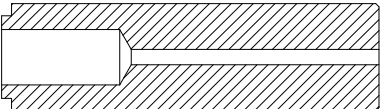
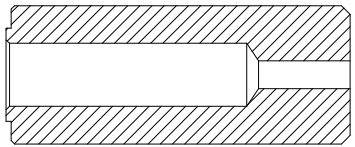
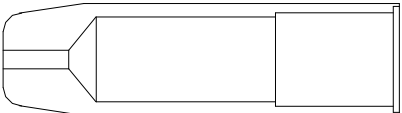
TECHNICAL SPECIFICATIONS	2
SPECIAL TOOLS	3 - 4
PERIODIC MAINTENANCE	5
LUBRICANTS	6
TROUBLESHOOTING	7 - 14
TIGHTENING TORQUE TABLE	15
ENGINE DISASSEMBLY	16 - 24
ENGINE REASSEMBLY	23 - 33
OIL MIXER PUMP UNIT	34
ENGINE COMPONENT INSPECTION AND SERVICE	35 - 37
PARTS CATALOGUE	xx

TECHNICAL SPECIFICATIONS


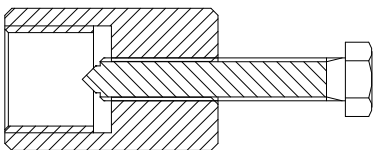
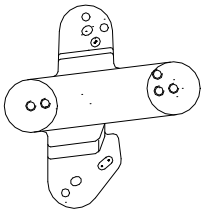
SPECIFICATIONS

CYCLE	- 2 stroke
Nr. of CYLINDERS	- 1
DISPLACEMENT	- 49.908 cc.
BORE AND STROKE mm.	- 39 X 41.8
CYLINDER MATERIAL	- Special cast iron
COMPRESSION RATIO	- (11 ±0.6) : 1
SPARK PLUG	- CHAMPION L78 C
TIMING SYSTEM	- Reed valve in crankcase with 3 metal flaps
MAX. R.P.M.	- 9000
CARBURETOR	- 12 mm diameter or equivalent
INTAKE MANIFOLD	- Fixed
FUEL	- EURO UNLEADED NC 623/02 - R.O.N. 95 plus 2% oil
LUBRICATION MIXER OIL TYPE	- AGIP 2T CITY
LUBRICATION SYSTEM	- automatic oil mixer pump (on request)
GENERATOR	- (on request)
IGNITION	- Inductive electronic
PRIMARY DRIVE GEAR	- Straight-tooth gears Z 14/59 with safety coupling
SECONDARY DRIVE GEAR	- Sprocket Z 10 or Z11 chain type 1/2 x 3/16 roller 7.75
CLUTCH	- Automatic centrifugal 2-shoe clutch in oil bath
TRANSMISSION GEAR OIL	- AGIP RADULA 68 type SAE 20 W quantity 200 cc
STARTER	- Kick starter
COOLING	- Air cooled

SPECIAL TOOLS

Figure	Code	Description
	143176	BEARING INSTALLER output shaft
	143154	BEARING INSTALLER crankshaft
	143156	BEARING INSTALLER output shaft
	143179	OIL SEAL INSTALLER output shaft
	143180	OIL SEAL INSTALLER crankshaft (flywheel + clutch)
	143181	OIL SEAL MOUNTING PROTECTION crankshaft (flywheel + clutch)

SPECIAL TOOLS

Figure	Code	Description
	143155	OIL PUMP SHAFT INSTALLER (pre-assembled)
	140558	FLYWHEEL REMOVER
	143162	CRANKCASE PULLER

PERIODIC MAINTENANCE

RUNNING-IN RECOMMENDATIONS:

During the running-in period, i.e. for approx. the first 500 km on the road, please note as follows:

- Do never run the engine at maximum revolutions.
- Do never keep the vehicle at maximum speed.
- Do not keep the engine at idle speed for longer time.

FIRST MAINTENANCE SERVICE:

to be carried out after **500 - 600 km**.

- Replace the engine oil
- Check the carburation and adjust if necessary
- Check the tightness of nuts and bolts

(See table "tightening torques" page 15)

LUBRICANTS**N.B.**

Use original MORINI FRANCO MOTORI spare parts only

RECOMMENDED LUBRICANTS / ADHESIVES	
DESCRIPTION	CHARACTERISTICS
Transmission oil	AGIP RADULA 68 SAE 20W
Assembly of various parts	GR/SM2 GREASE
Special assembly	GRAPHITISED MOLYCOTE type GREASE
Thread-locking glue	LOXEAL 82-21
Clamping glue	LOXEAL 83-54


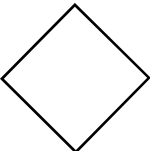

N.B. TRANSMISSION OIL LEVEL CHECK

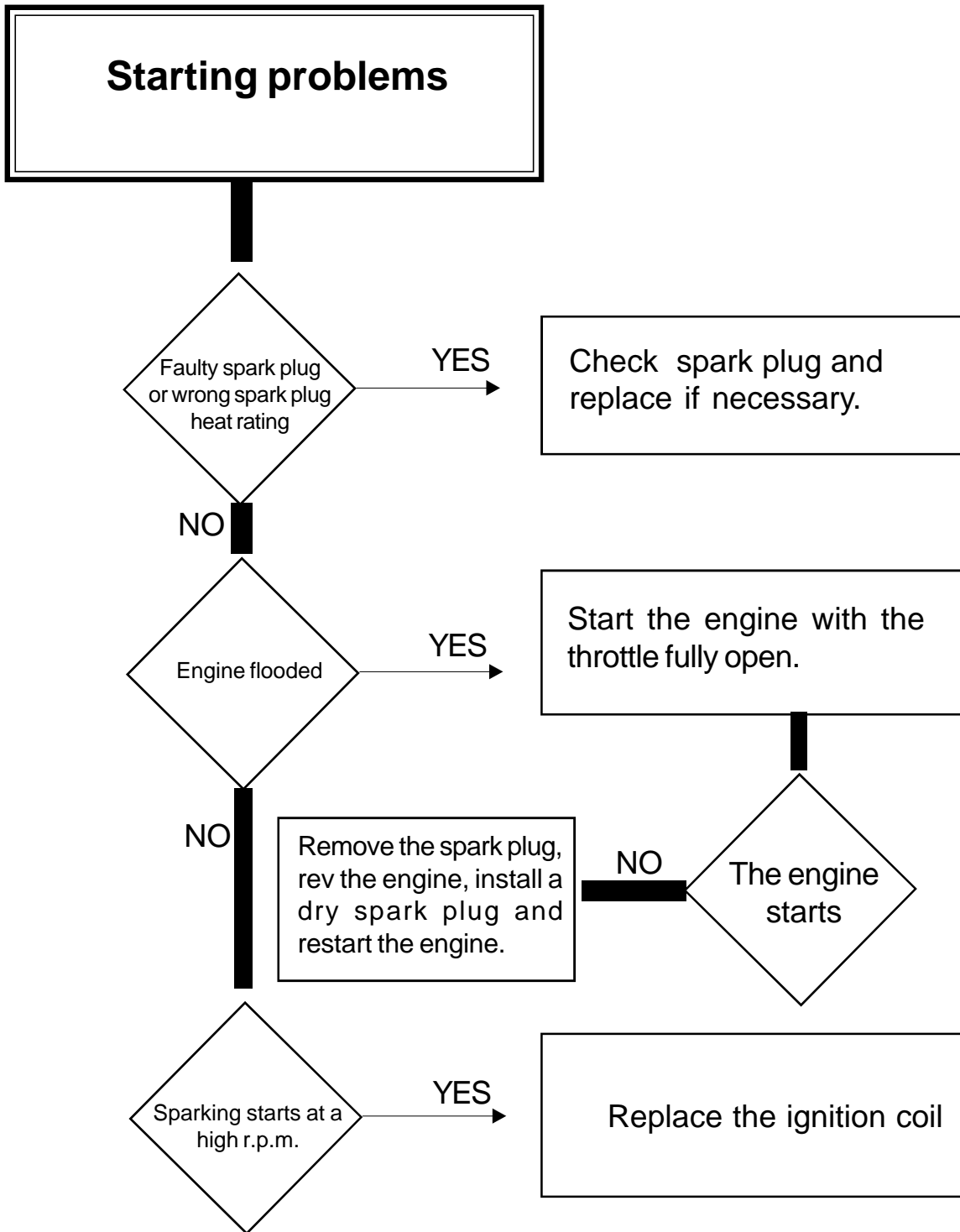
Remove the oil filler cap on the clutch cover and check the transmission oil level through window.

TROUBLESHOOTING

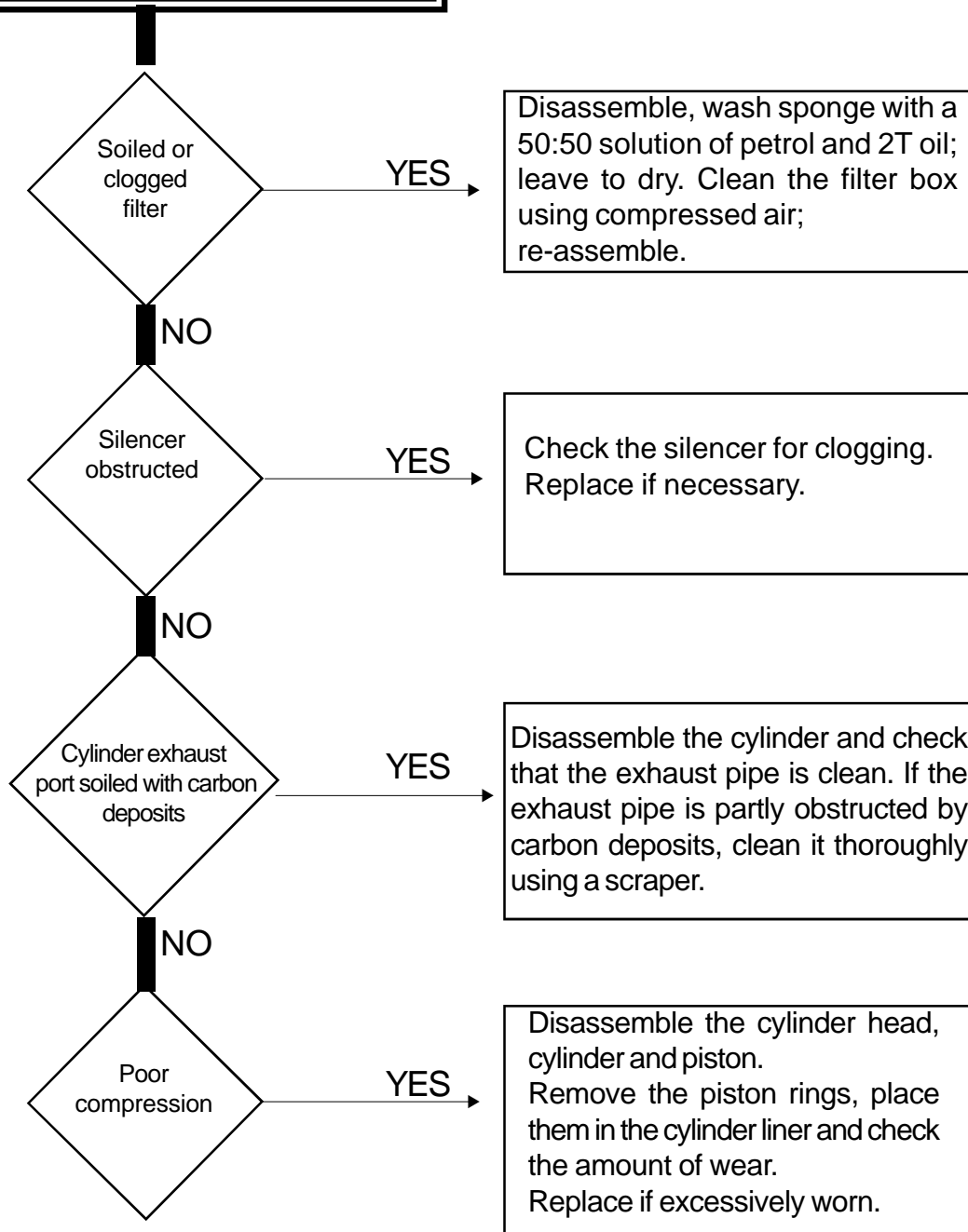
The following flow charts give a general outline of the causes and effects when the engine is not running correctly.

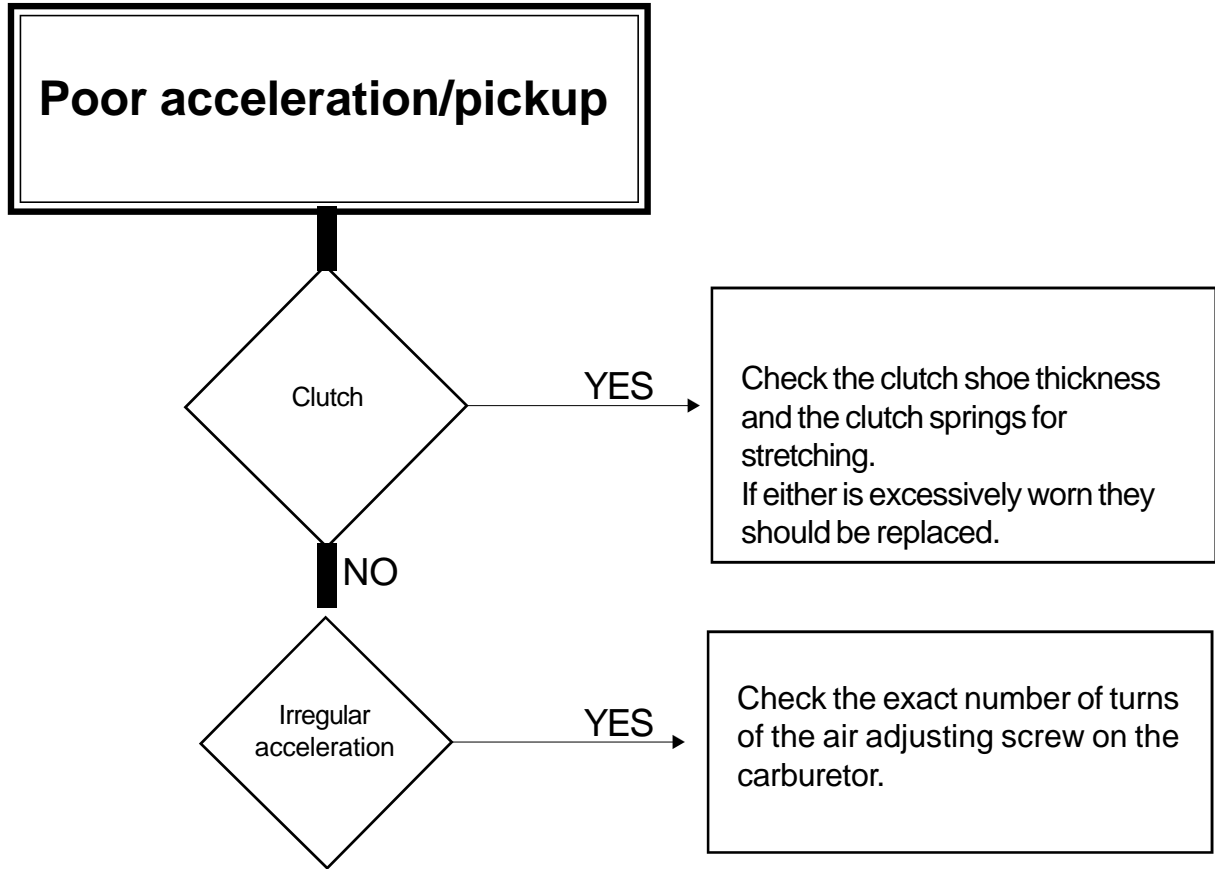
Descriptions of solutions for a specific cause are general; for more details the reader should consult the disassembly-reassembly manual.

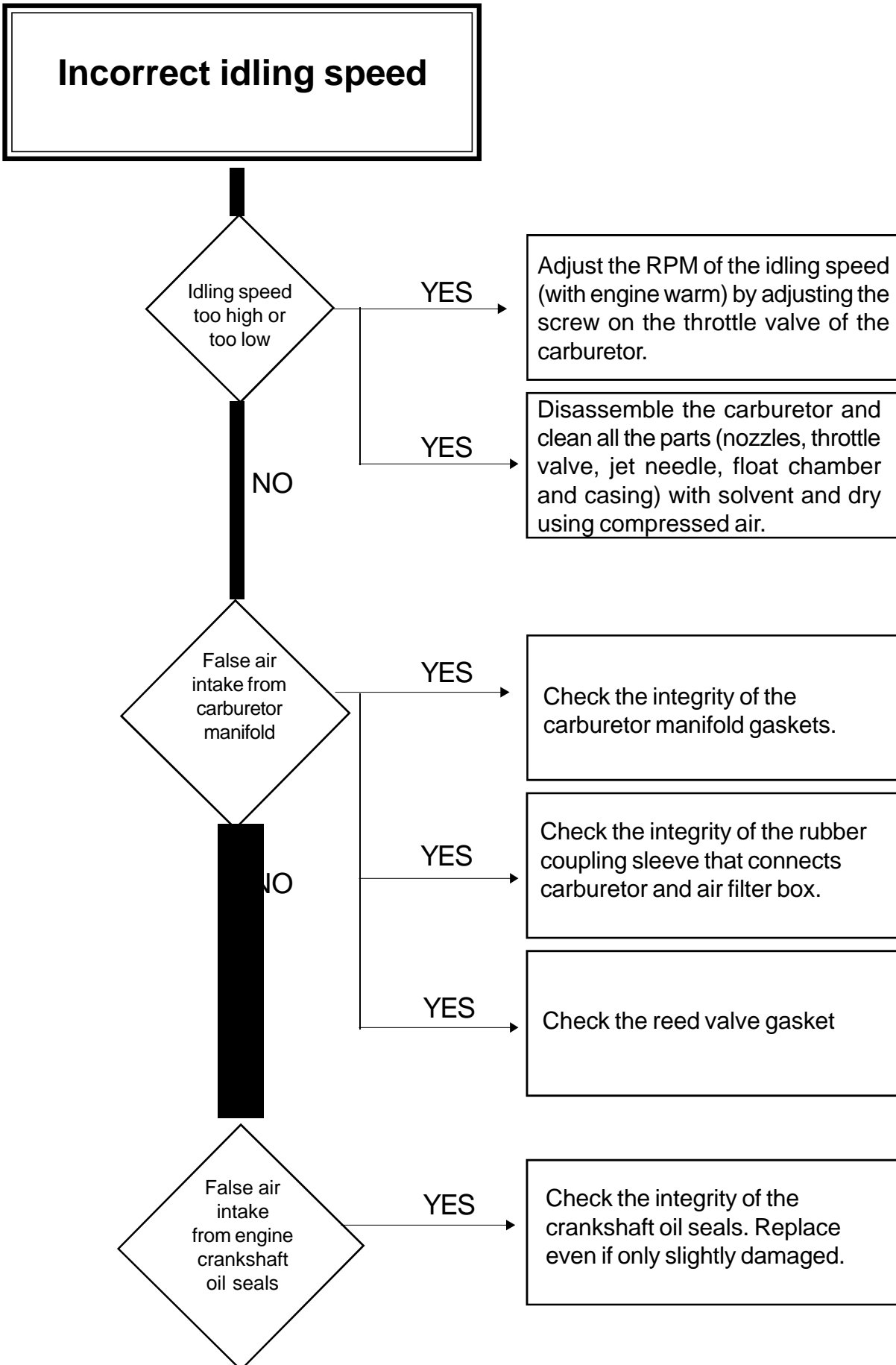
LEGEND OF SYMBOLS	
	EFFECT (fault noticed by the user)
	Possible CAUSE of the fault
	Possible general SOLUTION to the fault

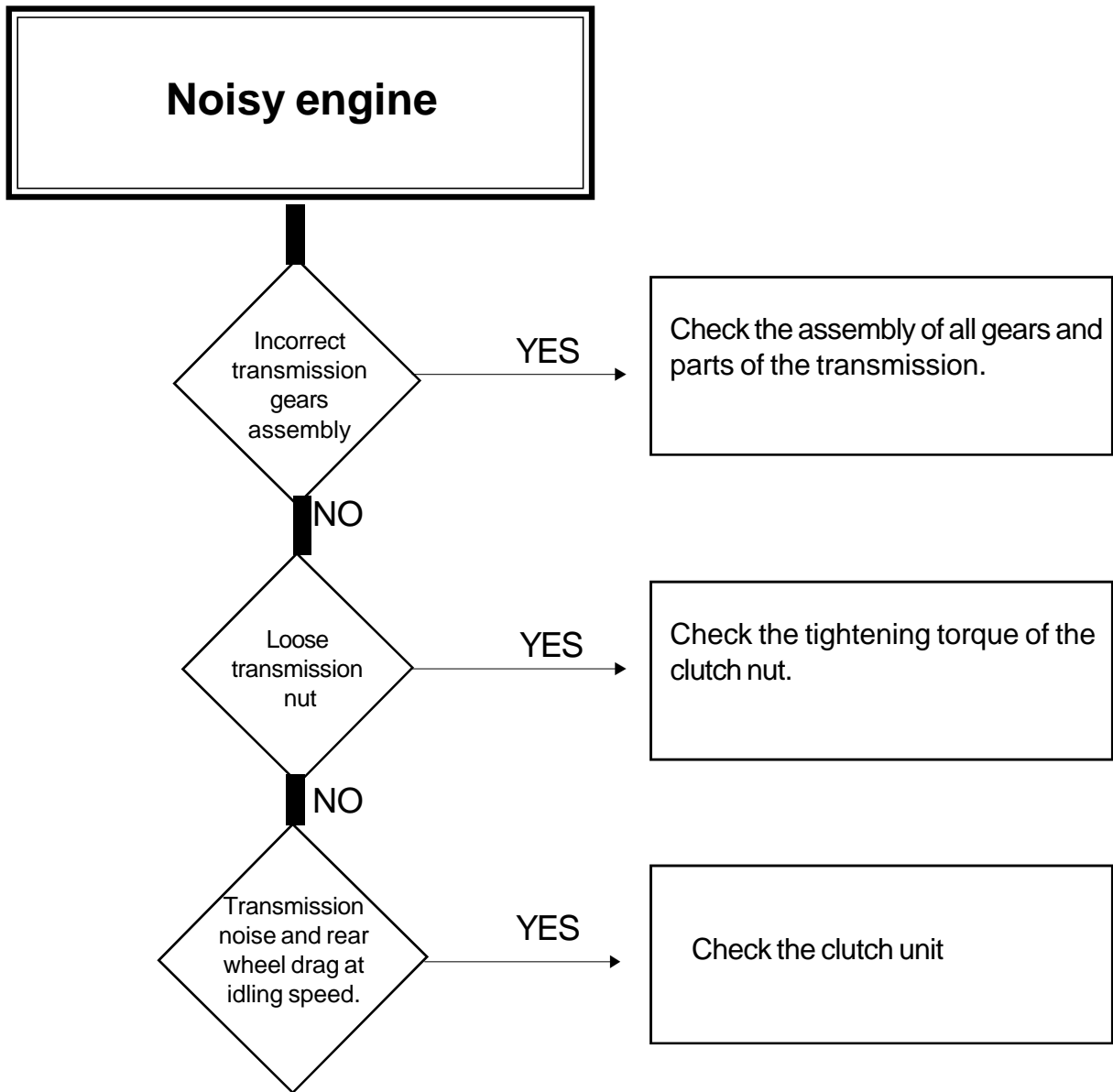


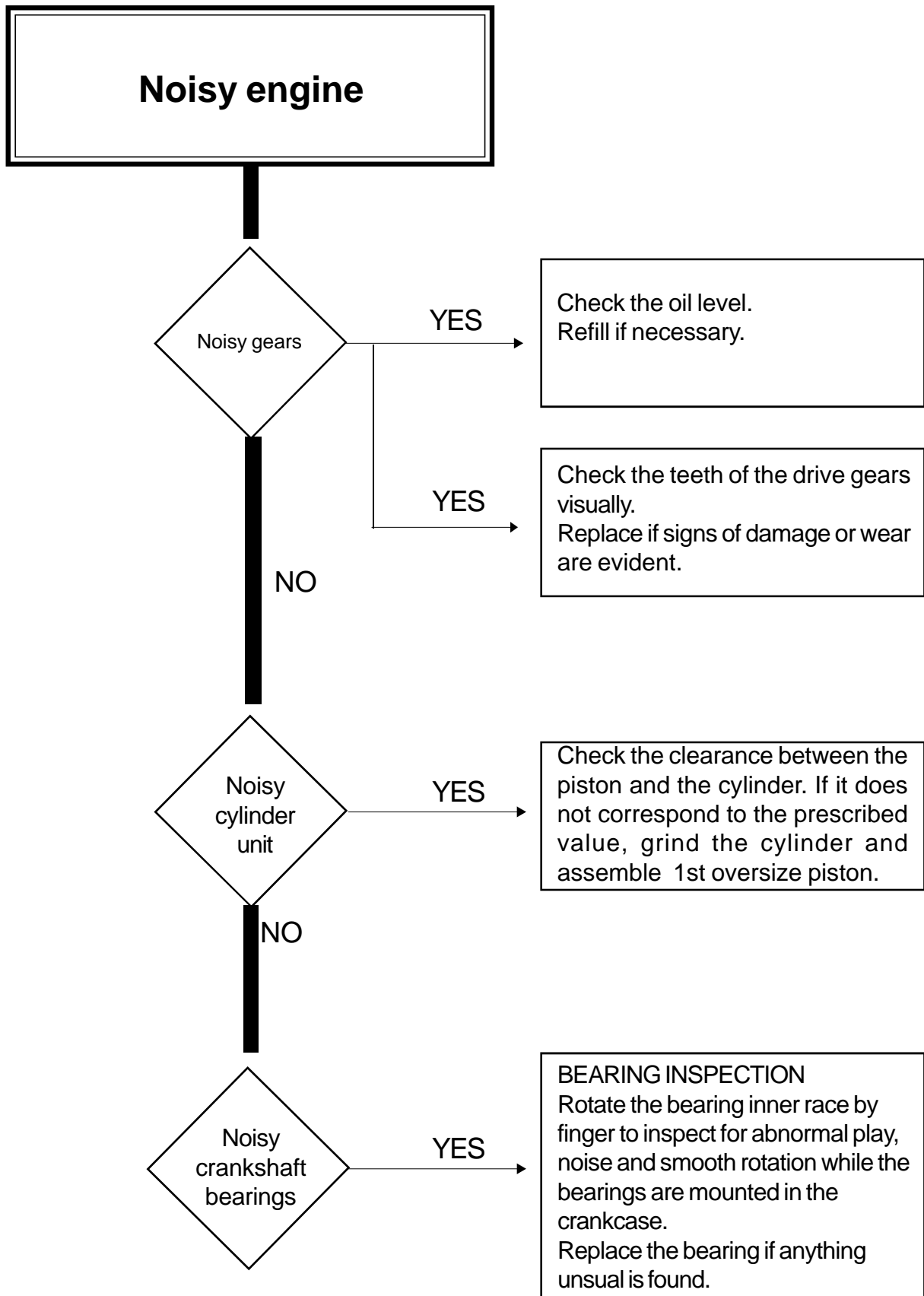
Maximum indicated running speed cannot be reached

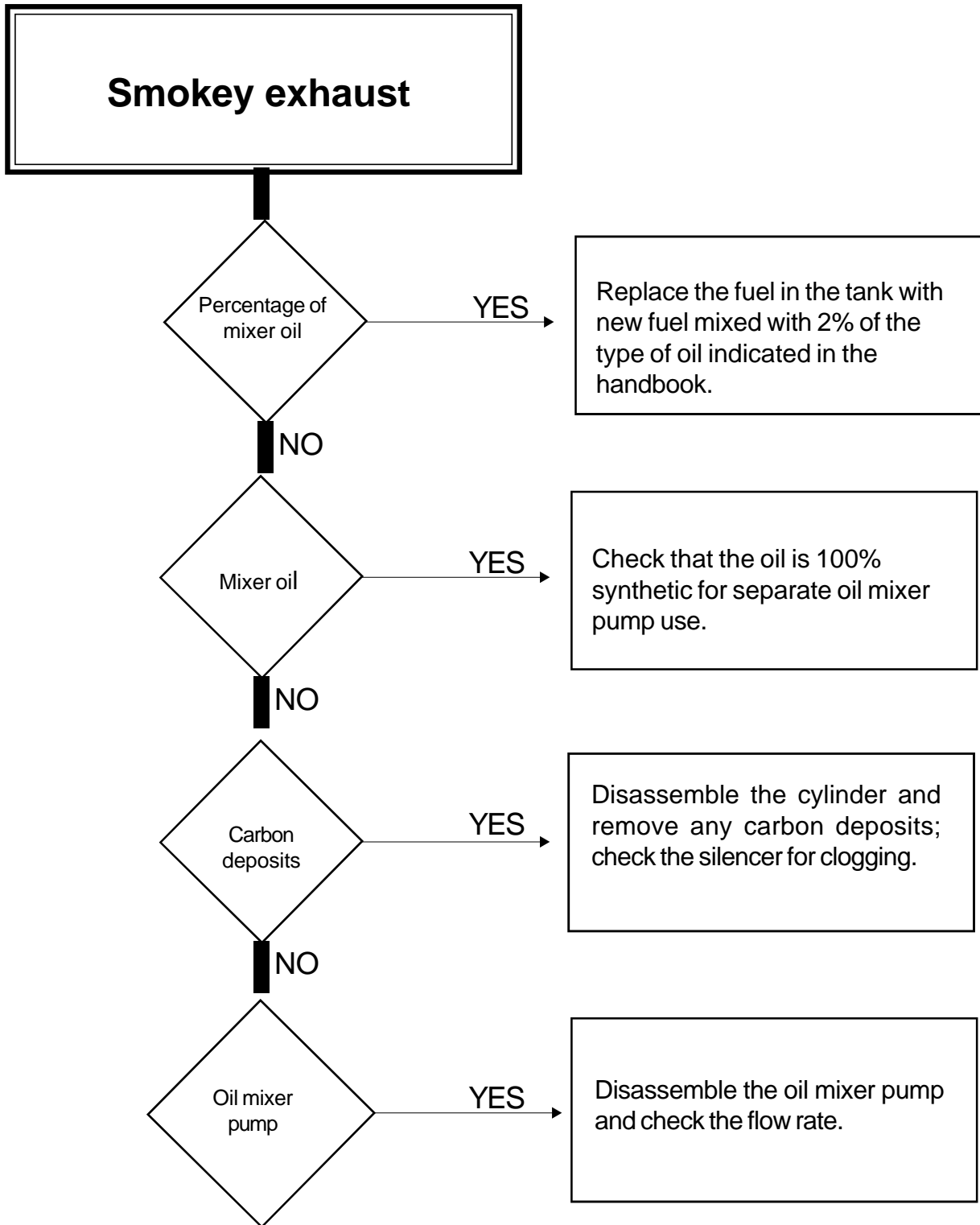












TIGHTENING TORQUE TABLE

DENOMINATION	TORQUE (Nm)
Crankcase bolts	10 - 12
Clutch cover bolts	10 - 12
Flywheel cover bolts	3 - 4
Carburetor manifold bolts	7 - 8
Ignition coil clamping screws	6 - 8
Oil mixer pump clamping screws (for model with mixer only)	5 - 6
Carburetor clamping screw	4 - 5
Starter lever bolt	8 - 10
Oil drain plug	8 - 10
Clutch nut	50 - 55
Flywheel nut	25 - 30
Head nuts	12 - 14
Spark plug	20 - 25