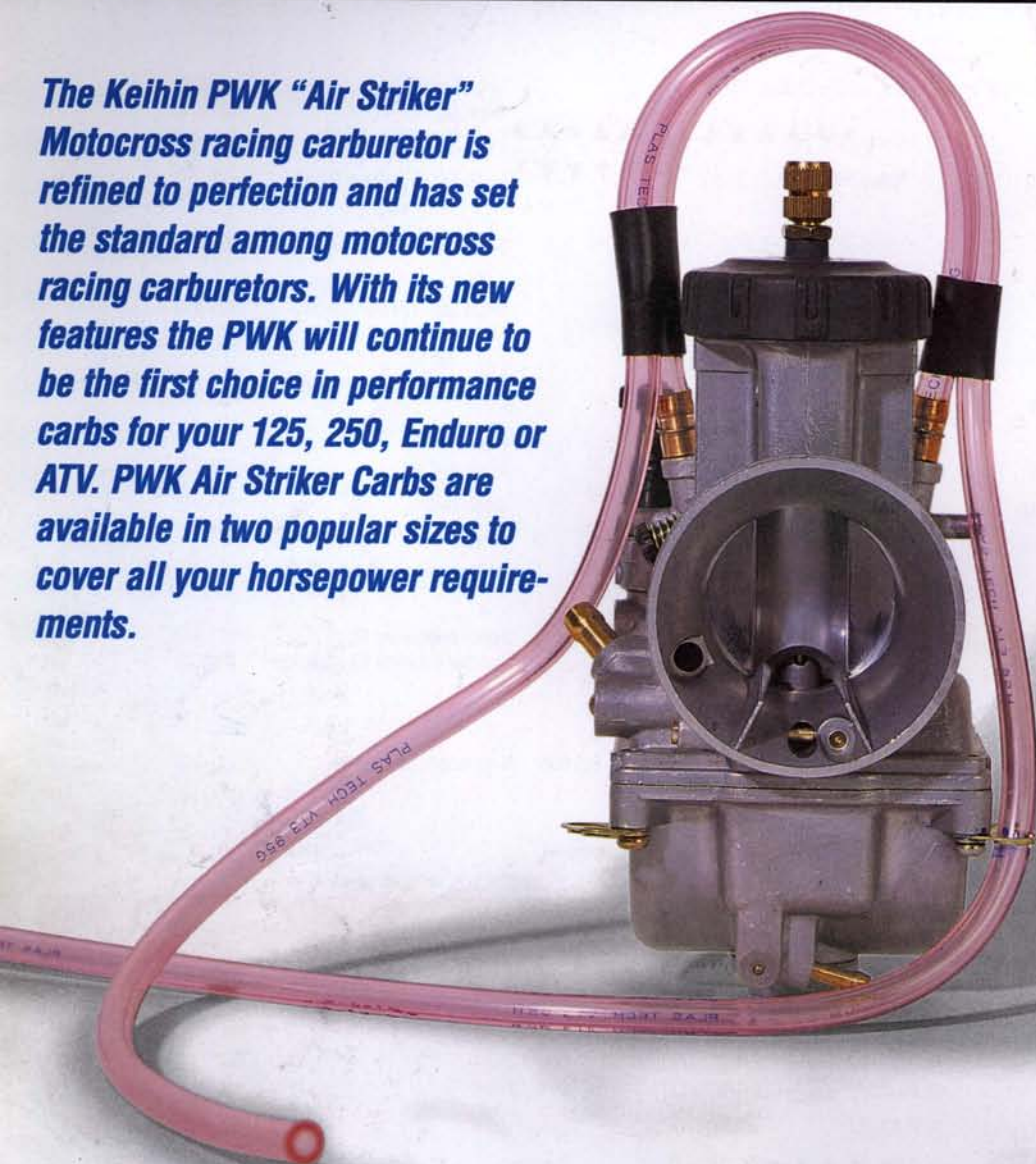


Keihin PWK Series Carburetors

The Keihin PWK "Air Striker" Motocross racing carburetor is refined to perfection and has set the standard among motocross racing carburetors. With its new features the PWK will continue to be the first choice in performance carbs for your 125, 250, Enduro or ATV. PWK Air Striker Carbs are available in two popular sizes to cover all your horsepower requirements.



Standard PWK

Description/Mark*	Order #	Slow Jet	Thr. Valve	Jet Needle	Main Jet
PWK28/ 29S"	016-144	#38	3.5	46-JJH	#135
PWK33/ S46"	016-148	#52	6	48-CGL	#165
PWK35/ 70R"	016-150	#68	6	48-DGK	#160
PWK35 A.S. / S65"	016-160	#48	4.5	48-DEK	#160
PWK36/ S63"	016-163	#55	5	48-DGJ	#165
PWK38/ 71R"	016-153	#58	6	48-DEG	#172
PWK38 A.S. / S66"	016-167	#55	7	48-DDJ	#170
PWK39/ 72R"	016-155	#60	6	48-DGH	#160
PWK41 Pro-Series	016-156	#60	6	48-DGH	#160

Special Set PWK

Description	Order #
PWK28 Special Set	016-189
PWK33 Special Set	016-191
PWK35 Special Set	016-192
PWK35 A.S. Special Set	016-197
PWK36 Special Set	016-198
PWK38 Special Set	016-194
PWK38 A.S. Special Set	016-199
PWK39 Special Set	016-195

****"X00" represents product code stamped on the carb body just above the float bowl.**

A.S. = Air Striker carb as shown above

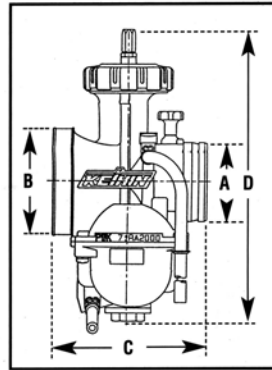
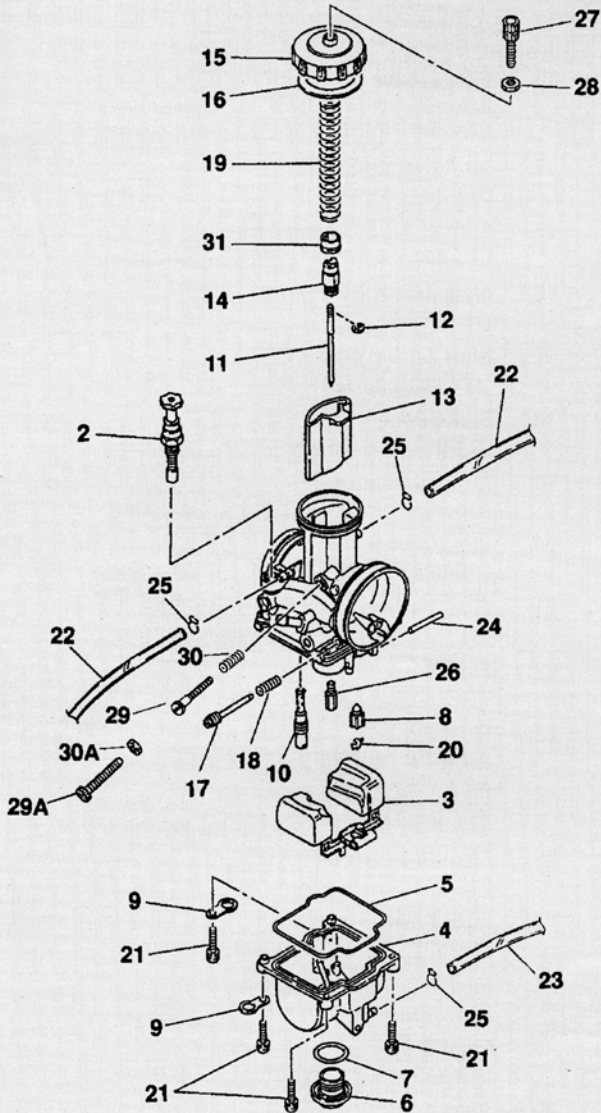
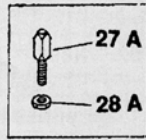
PWK41



Please Note: Special Set carbs are pre jetted to your request or specific application. Please specify exact jetting details or bike application for each special set carb you want to order.

Keihin PWK Exploded Views

PWK 33, 35, 36, 38, 39

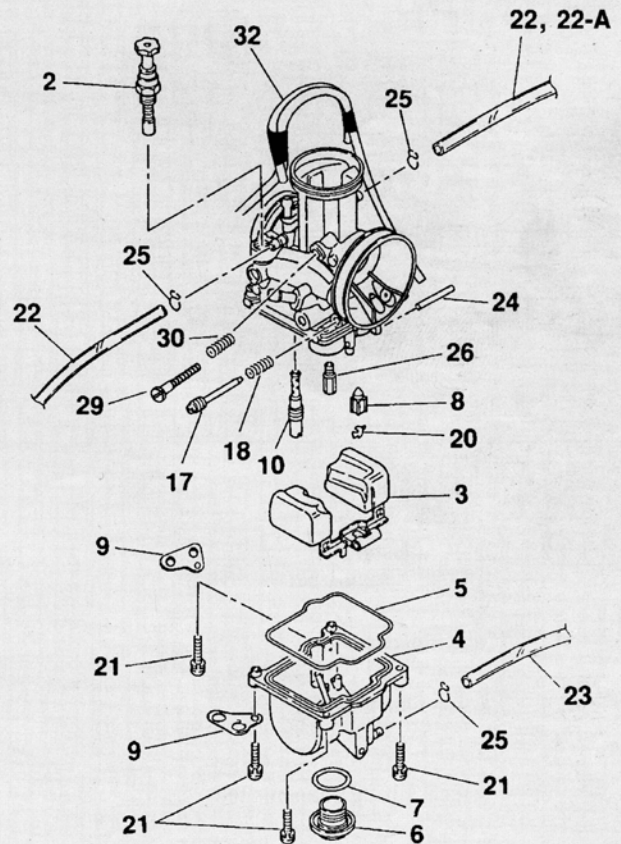


PWK Carburetor Dimensions

SIZE (MM)	A	B	C	D
PWK 33MM				
PWK 35MM	42	59	91	163.3
PWK 36MM				
PWK 38MM	46	63	91	171.6
PWK 39MM	46	63	91	171.6
PWK 28MM	35	49	83	147.4

Quad Vents / Air Strikers

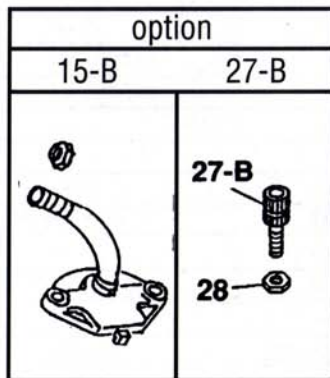
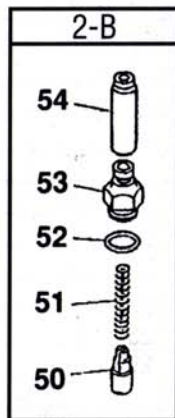
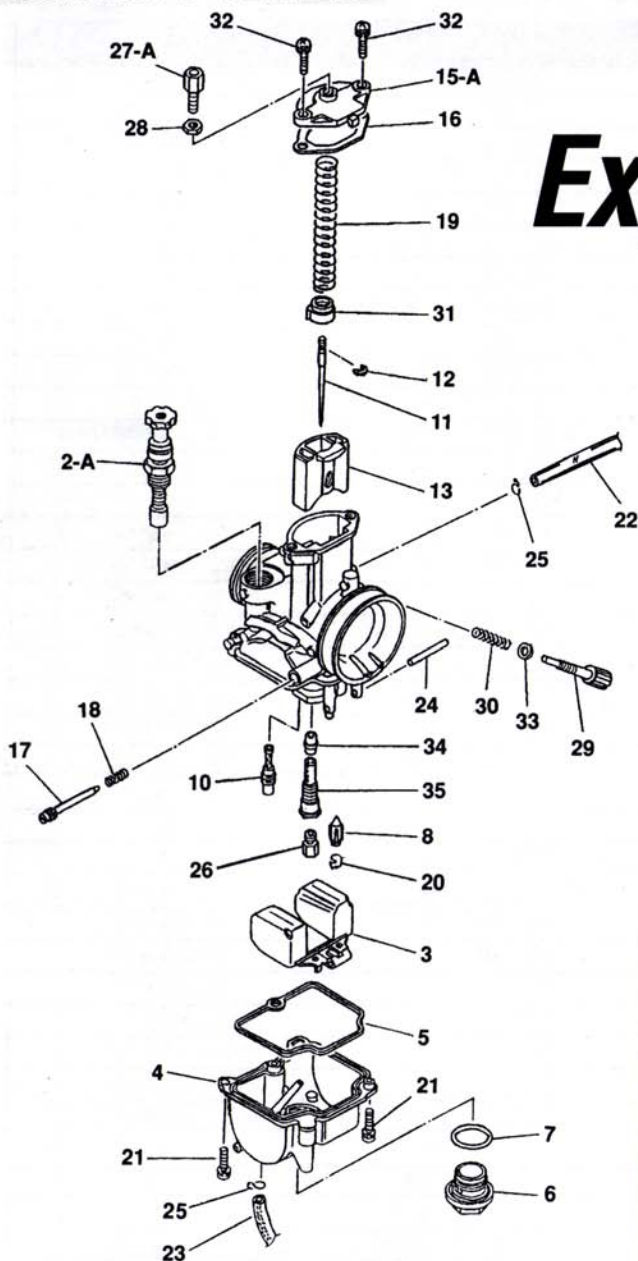
*see part numbers 11, 12, 14, 15, 16, 19, 27, 28, 31 from next drawing.



Keihin PWK28

PWK CARBS

Exploded View



Keihin PWK28 Parts List

No	Description	Part No.	Part #
2A	Starter Valve Comp.	1166-818-2100	018.500
2B	Starter Valve Comp.	SEE ASTERISKED NO.	
3	Float	W1310-080-9901	018.397
4	Float Bowl Comp.	N350-03A00	
5	Gasket, Float Bowl	W1354-042-9900	018-406
6	Plug Screw	16162-ND4-7511-M1	
7	O-Ring, PLug Screw	16173-001-0040	018-664
8	Float Valve Com	W1362-020-9901	018-389
10	Slow Jet	N424-21xxx	
11	Jet Needle	N427-46xxx	
12	Clip, Jet Needle	16115-169-0040	
13	Throttle Valve	N502-11x00 3.5	018-582
15A	Top	1030-844-2000	
15B	Top	1030-844-2200	
16	Gasket, Top	1202-837-2000	018.566
17	Air Adjust Screw	W1446-231-9900	018-089
18	Spring, Air Adjust	W1711-416-9900	018-090
19	Spring, Throttle	1290-921-2000	018-532
20	Clip, Float Valve	0405-013-1000	
21	Screw, Float Bowl	N114--04160	
22	Bowl, Vent Pipe	W9404-40090	
23	Overflow Pipe	95003-07042-31	
24	Float Pin	W9525-25250	
25	Clip	W9535-35000	
26	Main Jet	99101-357-xxx0	
26A	Main Jet (SDGAA)	99101-393-xxx0	
27A	Cable Adjuster	W9581-59250	
27B	Cable Adjuster	1036-804-2000	
28	Nut, Cable Adjuster	W1793-130-9900	
29	Idle Adjuster	1034-831-2000	018-568
30	Spring	1290-923-2000	018-562
31	Collar, Th. Spring	1022-805-7000	018-564
32	Screw,	Top N114-04140	
33	Washer	0301-078-1200	021-101
34	Needle Jet	16164-169-0040	018-560
35	Needle Jet Holder (SDGAA)	N413-11A00	
35A	Needle Jet Holder	N413-12A00	
*50	Starter Valve	W1275-028-9901	
*51	Spring	1290-922-2000	
*52	O-Ring	0901-069-6000	
*53	Cable Holder	W1551-140-9900	
*54	Cap	16118-166-0040	

NOTE: Ask dealer for details if you see xxx-xxx on part numbers If you see "SDGAA" on your carburetor's stamped portion, your main jet and needle jet holder has to be 26A and 35.