

Keihin PJ Carb

PJ Carburetors

Oval slide carburetor for ATV and offroad motorcycles. Sudco offers pre-jetted carburetors upon request

Description	Order No.
PJ 34 Carburetor	016-039
PJ 34 Special Set	016-180
Pre-jetted applications available	



No.	Description	Order No.
1.	Cable Adjuster Cap	
	16118-166-0040	34-38mm 018-002
2.	Cable Adjuster	
	W9581-59250	34-38mm 018-005
3.	Cable Adjuster Nut	
	W1793-130-9900	34-38mm 018-008
4.	Mixing Chamber, Top	
	W1591-130-9910	34, 36mm 018-011
	W1591-131-9910	38mm 018-012
5.	Gasket, Mixing Chamber Top	
	16110-NC8-0040	34, 36mm 018-015
	W1593-051-9900	38mm 018-016
6.	Throttle Valve Spring	
	16050-KA3-7610-M1	34mm 018-019
	16050-KA4-7710	36mm 018-020
	16050-KA5-6910	38mm 018-021
7.	Cable Holder	
	16137-KA3-7610-M1	34-38mm 018-024
8.	Collar	
	W1706-052-9900	34-38mm 018-027
9.	Spring	
	16051-KA3-7610-M1	34-38mm 018-030

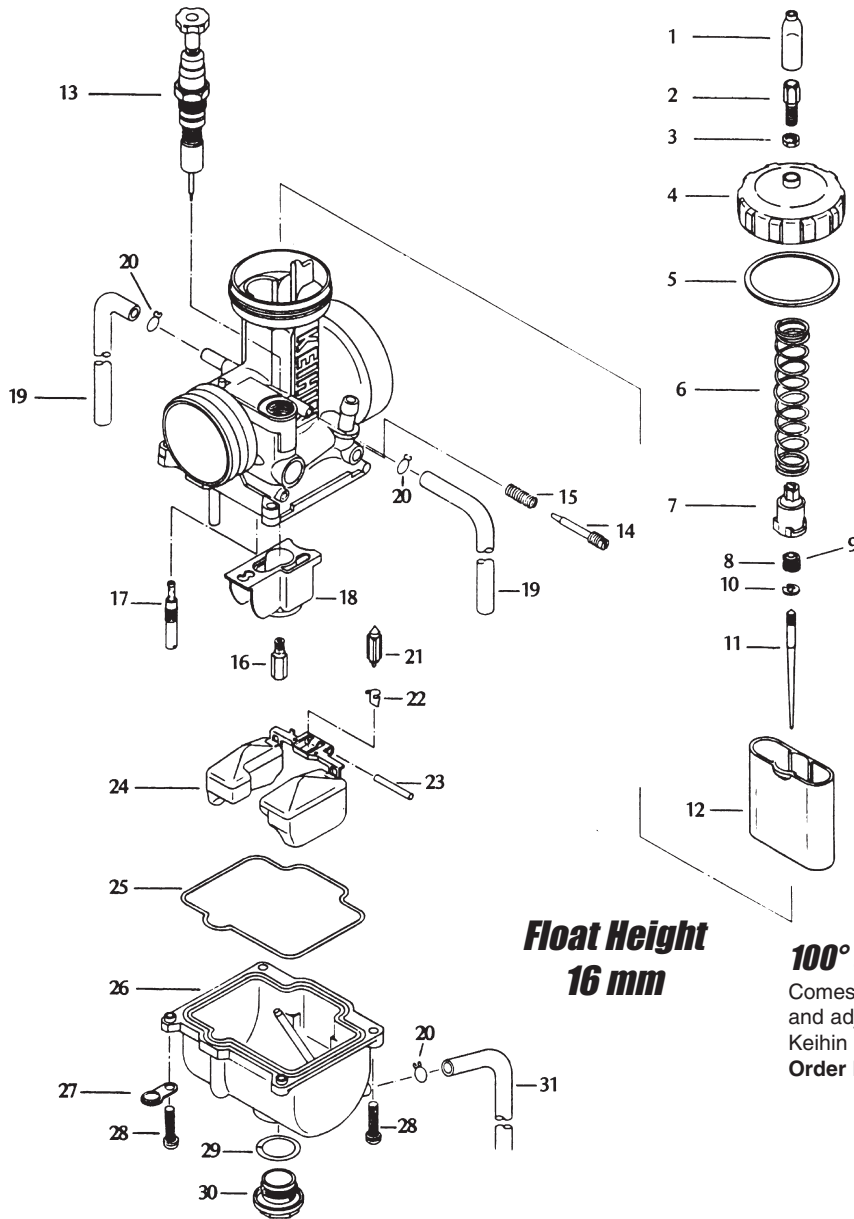
PJ-34-36
Carb Top Kit
018-975

No.	Description	Keihin No.	Order No.
10.	Needle Clip		
	16115-169-0040	34-38mm	018-033
11.	Jet Needle		
	N427-48-□□□		Pg. 135
12.	Throttle Valve		Pg. 130
	W1502-2JX-	34mm	
	W1502-2KX	36mm	
	W1502-2LX	38mm	
13.	Choke Valve		
	16045-KA3-7610-M1	34-36mm	018-085
	16046-KA5-6910-M1	38mm	018-086
14.	Air Adjusting Screw		
	W1446-231-9900	34-38mm	018-089
15.	Spring, Air Adjusting Screw		
	W1711-416-9900	34-38mm	018-090
16.	Main Jet		
	99101-357-□□□		Pg. 137
17.	Slow Jet		
	N424-21-□□□		Pg. 138
18.	Baffle Plate		
	16185-KA3-7610	34-38mm	018-092
19.	Air Vent Pipe		
	95003-07033-31	34-38mm	021-752
20.	Clip		
	W9535-35000	34-38mm	018-098
21.	Float Valve		
	W1362-019-9900	34-38mm	018-101
22.	Float Valve Clip		
	W1782-013-990	34-38mm	018-104
23.	Float Pin		
	W9525-25250	34-38mm	018-670
24.	Float		
	W1310-079-9921	34-38mm	018-110
25.	O-Ring, Float Bowl		
	16163-ND4-7510-M1	34-38mm	018-113
26.	Float Bowl		
	W1350-289-9910	34-38mm	018-006
27.	Vent Tube Anchor Plate		
	16179-428-6711-M1	34-38mm	018-119
28.	Screw, Float Bowl 4x16mm		
	93892-04016-18	34-38mm	018-122
29.	Plug Screw O-Ring		
	16173-001-0040	34-38mm	018-664
30.	Main Jet Plug		
	16162-ND4-7511-M1	34-38mm	018-128
31.	Overflow Tube		
	95003-05027-31	34-38mm	018-131

Rebuild Kit for:

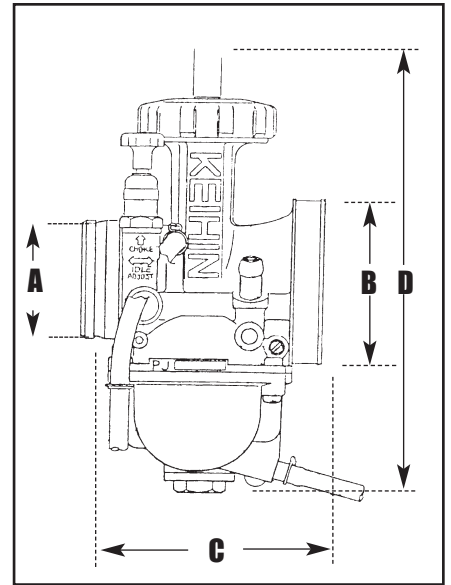
Description	Order No.
PJ	020-115

Keihin PJ Exploded View



PJ Carburetor Dimensions

Size (mm)	A	B	C	D
PJ34	41	59	91	174.0
PJ36	43	61	91	178.4
PJ38	45	63	91	183.0



**Float Height
16 mm**

100° Cable Adjuster Assembly

Comes with rubber cap, 2 locknuts, cable adjuster and adjuster and 100° tube. Works on Mikuni and Keihin carburetor caps.
Order No. **007-729**



PJ34 Carburetor Standard Jetting

Main Jet	Slow Jet	Jet Needle	Throttle Valve
152	55	48CEG	6.0

PJ Throttle Valves

	Cutaway	PJ34 W1505-2XX-9900	PJ36 W1502-2KX-9900	PJ38 W1502-2LX-9900
Rich	4.0	018-040	018-054	018-068
↑	5.0	018-042	018-056	018-070
STD	6.0	018-044	018-058	018-072
↓	7.0	018-046	018-060	018-074
Lean	8.0	018-048	018-062	018-076