

Engines and Parts Engines

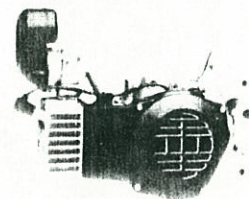
Dia. #	Part #	Description
—	2820	Oil seal set
4240	4240	Intake gasket
4440	4440	Connecting pin
4450	4455	Large end bearing
4460	4410	Stub plane crankshaft assy.
4460	4460	Cone crankshaft assy.
4470	4470	Small end bushing
4470	4475	Small end bearing
4480	4480	Piston pin
4490	4490	Piston pin circlip
4540	4500	Ø38.0mm piston kit
4540	4510	Ø38.2mm piston kit
4540	4520	Ø38.4mm piston kit
4540	4530	Ø38.6mm piston kit
4540	4535	Ø38.7mm piston kit
4540	4540	Ø38.8mm piston kit
4540	4550	Ø39.0mm piston kit
4540	4560	Ø39.2mm piston kit
4540	4570	Ø39.4mm piston kit
4540	4580	Ø39.6mm piston kit
4540	4590	Ø39.8mm piston kit
4640	4600	Ø38.0mm ring set
4640	4610	Ø38.2mm ring set
4640	4620	Ø38.4mm ring set
4640	4630	Ø38.6mm ring set
4640	4635	Ø38.7mm ring set
4640	4640	Ø38.8mm ring set
4640	4650	Ø39.0mm ring set
4640	4660	Ø39.2mm ring set
4640	4670	Ø39.4mm ring set
4640	4680	Ø39.6mm ring set
4640	4690	Ø39.8mm ring set
4700	4700	Crankshaft bearing
4710	4710	Crankshaft oil seal
4720	4720	Flywheel key
4740	4740	Stator plate screw
4750	4750	Flywheel nut
4760	4760	Drive shaft
4770	4770	Drive shaft bearing
4780	4780	Shim
4790	4790	Oil seal
4820	4800	9 tooth sprocket
4820	4810	10 tooth sprocket
4820	4820	11 tooth sprocket
4820	4822	12 tooth sprocket
4820	4823	13 tooth sprocket
4830	4830	Washer
4840	4840	Nut
4850	4850	Shim
4860	4860	Snap ring
4870	4870	Drive clutch
4880	4880	Clutch drum & gear
4890	4890	53 tooth gear
4900	4900	Clutch drum
4950	—	Use 4960
4960	4960	Clutch shoe complete
4970	4970	Clutch shoe plate
4980	4980	Clutch shoe plate screw
4990	4990	Brake pad spring
5000	5000	Brake pad
5010	5010	Clutch shoe spring
5020	5020	Spring retaining pin
5030	5030	Ø9mm washer
5060	5060	Plate return spring
5070	5070	Return spring cap
5080	5080	Clutch pressure plate
5090	5090	Pressure plate lock ring
5100	5100	Clutch lever long
5100	5105	Clutch lever short
5110	5110	Clutch lever "O" ring
5120	5120	Return spring for 5100
5120	5125	Return spring for 5101
5130	5130	Lever set screw
5140	5140	Set screw washer
5150	5150	Cable retaining bolt
5160	5160	Cable bridge

Motoni Minarelli

PARTS SALE

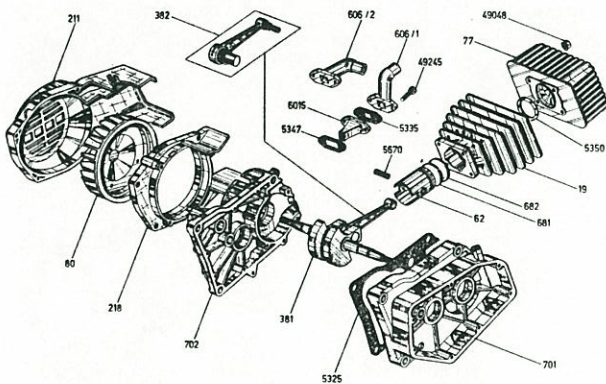
Dia. #	Part #	Description
5170	5170	Cable adjuster
5180	5180	Upper pressure leaf
5190	5190	Lower pressure leaf
5200	5200	Half case—clutch side
—	5202	Engine case set
5220	5220	Sold in case set #5202 only
5230	5230	Center case gasket
5240	5240	Center case dowel
5250	5250	Bolt
5260	5260	Clutch cover—grey
5260	5262	Clutch cover—black
5270	5270	Clutch cover gasket
5280	5280	Oil fill cap
5290	5290	Oil fill gasket
5300	5300	Oil drain bolt
5310	5310	Oil drain gasket
5320	5320	Bolt
5360	—	Specify magneto assy.
5370	5370	Wire guide
5380	5380	Wire guide
5390	5390	Aluminum base mount
5390	5400	Plastic (early) base moun
5390	5405	Plastic (late) base moun
5410	5410	Fan (early)
5410	5415	Fan (late)
5420	5420	Fan screw
5430	5430	Aluminum fan cover
5430	5440	Plastic (early) fan cover
5430	5445	Plastic (late) fan cover
5450	5450	Aluminum cover bolts
5450	7050	Plastic cover bolts
5460	5460	Cylinder base gasket
5480	5470	Ø38.0mm cylinder
5480	5475	Ø38.7mm cylinder
5480	5480	Ø38.8mm cylinder
5490	5490	Cylinder head gasket
5500	5505	Engine head
5510	W8A	Spark plug
5520	5520	Spark plug boot
5530	5530	Cylinder stud
5540	5540	Cylinder stud washer
5550	5550	Cylinder stud nut
5560	5560	Connecting rod
5570	5570	Shim
5600	5580	12mm side manifold
5600	5585	12mm front manifold
5600	5590	9mm side manifold
5600	5595	9mm front manifold
5600	5600	7.25mm side manifold
5600	5605	7.25mm front manifold
5610	5610	Manifold bolt
5620	5620	Wire guide
5630	5630	Grommet
5640	5640	Carburetor SHA 14-9
5640	5650	Carburetor SHA 14-12
5660	5660	Air filter cover
5670	5670	Exhaust gasket

Dia. #	Part #	Description
5680	5680	Pancake exhaust
5690	5690	Muffler retaining bolt
5700	5700	Washer
5710	5710	Idler
5720	5720	Idler pin
5730	5730	Shim
5740	5740	Pedal shaft
5750	5750	Pedal gear
5760	5760	Side gear
5770	5770	Spring
5780	5780	Spring pin guide
5790	5790	Shim
5800	5800	Pedal shaft circlip
5810	H-132	Right pedal crank
5820	H-131	Left pedal crank
5830	H-134	Pedal crank pin
5840	5840	Spring leaf bolt
5850	5850	Pedal shaft cap
5860	5860	Lockwasher
5870	5870	Exhaust stud
—	5890	Engine gasket set
6000	6000	Snap ring
6020	6020	Cone clutch shim
6020	5570	Stub plane clutch shim
6040	6040	Cone clutch bushing
6040	4920	Stub plane clutch bushing
6180	6180	Cone clutch complete
6180	4930	Stub plane clutch complete
6200	6200	Cone clutch housing
6200	4940	Stub plane clutch housing
6270	6270	Cone clutch nut r.h.
6270	6275	Cone clutch nut l.h.
6270	5040	Stub plane clutch nut



and Parts Engines and Pa

Motori Minarelli V1L Reed Valve



Dia. #	MMI Pt. #	Description
19	5471	40.3mm cast iron cylinder
62	4541	Piston kit complete 40.3mm
—	4551	Piston kit complete 1st over 40.6mm
—	4561	Piston kit complete 2nd over 40.8mm
77	5501	Cylinder head
80	5415	Engine cooling fan
211	5445	Engine fan cover
218	5401	Fan cover base mount
381	4461	Crankshaft
606/1	5596	Intake manifold front
606/2	5591	Intake manifold side
681/682	4641	40.3mm piston ring set
—	4651	40.6mm piston ring set (1st over)
—	4661	40.8mm piston ring set (2nd over)
701/702	5201	Engine case set
5325	5231	Center case gasket
5335	4241	Intake manifold gasket
5347	4242	Reed valve gasket
5350	5491	Cylinder head gasket
5670	4481	Piston pin
6015	5215	Reed valve
49048	5551	Cylinder stud nut
49245	5611	Intake manifold stud

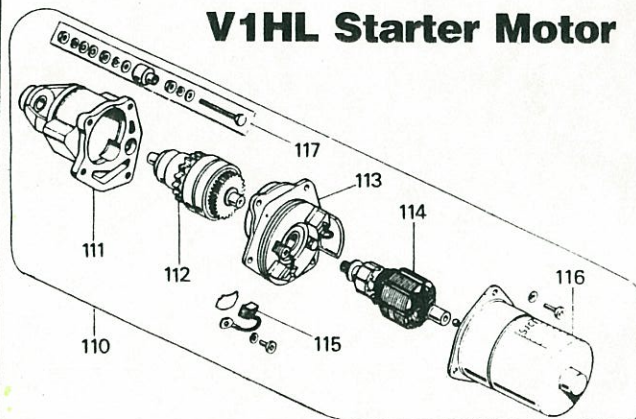
Note:

The spare parts illustrated above are those which are unique and exclusive to the V1L Reed Valve Engine. Spare parts which are needed for the repair of a V1L which are not contained in the above list can be found in the Minarelli V1 (Non Reed Valve Engine) Section.

Dia. # MMI Pt. # Description

49046	6275	Clutch nut L.H.
49048	5553	Cylinder head nut
49083	5870	Exhaust stud
49084	5530	Cylinder stud
49094	5540	Cylinder stud washer
49108	5860	Lockwasher
49114	5140	Clutch lever washer
49121	4830	Countershaft sprocket washer
		010 × 22
49122	5730	Shim 012 × 17
49127	4850	Shim 015 × 21
49131	5790	Shim 016 × 26
49138	6020	Shim 014.6 × 20
49143	7160	Shim 018 × 24 × .5
49177	4780	Shim 022 × 35 × 1
49185	5032	Clutch washer
49203	5130	Clutch lever set screw
49210	4617-36	Carburetor clamp screw
49226	4740	Stator plate screw
49227	5300	Oil drain bolt
49238	5453	Allen bolt
49243	5320	11mm Case bolt
49244	5323	Screw
49245	5450	Fan cover bolt
49246	5250	Bolt 30mm
49247	5330	35mm Case bolt
49258	5150	Clutch cable retaining bolt
49266	5840	Spring leaf bolt
49311	4980	Screw for clutch shoe plate
N/I	6180	Complete clutch
N/I	5893	Engine gasket set
N/I	2820	Engine oil seal set

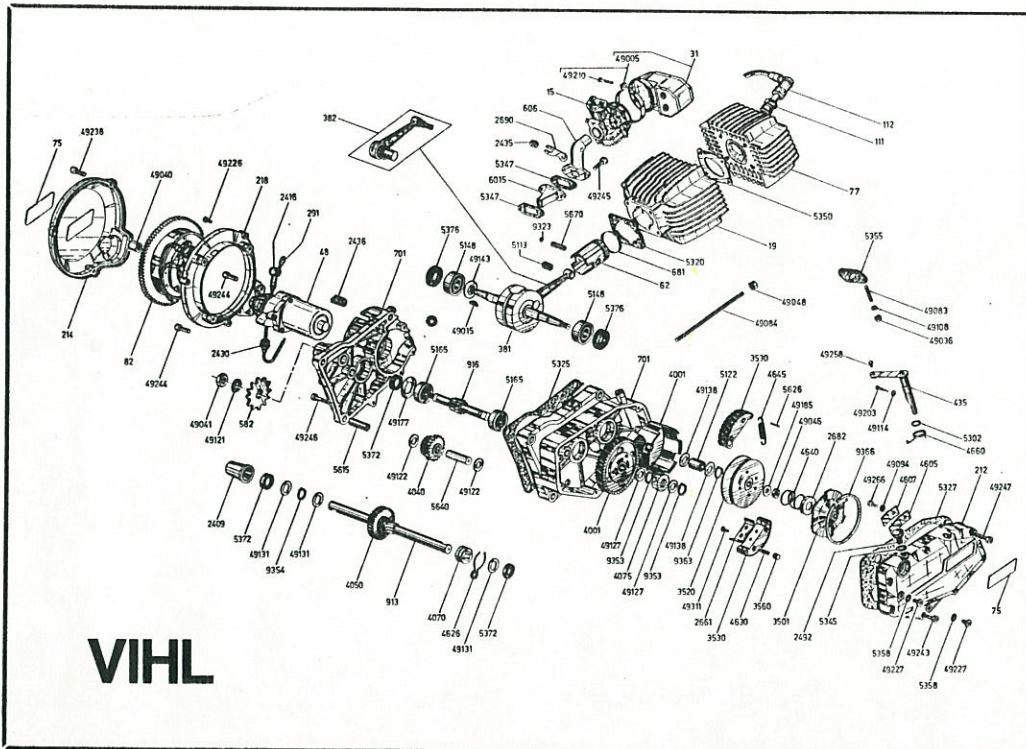
V1HL Starter Motor



Draft parts list for Electric Starter Motor

Dia. #	Pt. #	Description
110	7110	Starter motor complete
111	7110/6	Bendix drive housing
112	7110/5	Starter motor bendix
113	7110/4	Starter motor intermediate flange
114	7110/2	Starter motor subassembly
115	7110/3	Starter motor brush
116	7110/1	Starter motor housing
117	7110/7	Starter motor hardware kit

Engines and Parts Engines



**Motoni
inarelli**

**V1HL
Electric
Start
as used
on
Motomarina
Tri-power**

**TRI-POWER
ELECTRIC START**



... Shockingly affordable

Dia. #	MMI Pt. #	Description
15	5650	Dellorto SHA 14-12 carb. complete
19	5473	Cylinder
31	6660	Air filter cover
48	7110	Electric starter motor
62	4543	40.3mm piston assy. complete
—	4553	1st Oversize piston assy. complete 40.6mm
—	4563	2nd Oversize piston assy. complete 40.8mm
77	5503	Cylinder head
82	100699000	Magneto assy.
111	W7A	Bosch spark plug
112	5520	Spark plug cap
212	5262	Clutch side cover
214	5443	Flywheel cover
218	7115	Starter motor support
291	7120	Starting motor wire
381	4463	Crankshaft
435	5105	Clutch lever
582	4810	Countershaft sprocket 10Z
606	5596	Intake manifold front mount
681	4643	40.3mm piston ring set
—	4653	1st Oversize piston ring set 40.6mm
—	4663	2nd Oversize piston ring set 40.8mm
701	5203	Centercase set
913	5740	Pedal shaft
916	4760	Countershaft
2409	5850	Pedal shaft protection cap
2416	7130	Rubber starter cap
2430	7140	Wire guide
2435	5630	Wire guide
2436	7150	Wire guide
2492	5280	Oil filler cap
2661	4970	Clutch shoe plate
2682	5070	Cap for return spring
2690	5623	Wire guide
3501	5080	Clutch pressure plate
3520	6200	Clutch housing stripped
3530	4960	Clutch shoe
3560	5000	Clutch shoe guide
4001	4880	Clutch drum & gear

Dia. #	MMI Pt. #	Description
4040	5710	Idler gear
4050	5750	Pedal gear
4070	5760	Claw coupling
4075	4870	Drive cog
4605	5190	Lower pressure plate spring leaf
4607	5180	Upper pressure plate spring leaf
4626	5770	Claw coupling spring
4630	4990	Clutch shoe guide spring
4640	5060	Return spring for clutch pressure plate
4645	5010	Clutch shoe return spring
4660	5125	Clutch lever return spring
5113	4473	Wrist pin bearing
5122	6040	Clutch bushing
5148	4700	Crankshaft bearing
5165	4770	Drive shaft bearing
5302	5110	Clutch lever "O" ring
5320	5460	Cylinder base gasket
5325	5231	Center case gasket
5327	5270	Clutch cover gasket
5345	5290	Oil filler cap gasket
5347	4242	Reed valve gasket (top & bottom)
5350	5493	Cylinder head gasket
5355	5670	Exhaust gasket
5358	5310	Oil drain bolt gasket
5372	4790	Oil seal
5376	4710	Crankshaft oil seal
5615	5240	Dowel for crankcase
5626	5020	Retaining pin for clutch shoe spring
5640	5720	Pin for idler
5670	4481	Piston pin
6015	5215	Reed valve
9323	4490	Piston pin "G" clip
9353	4860	Snap ring
9354	5800	Pedal shaft circlip
9363	6000	Snap ring
9366	5090	Pressure plate lock ring
49015	4720	Flywheel key
49036	5550	Exhaust stud nut
49040	4750	Flywheel nut
49041	4840	Countershaft sprocket nut